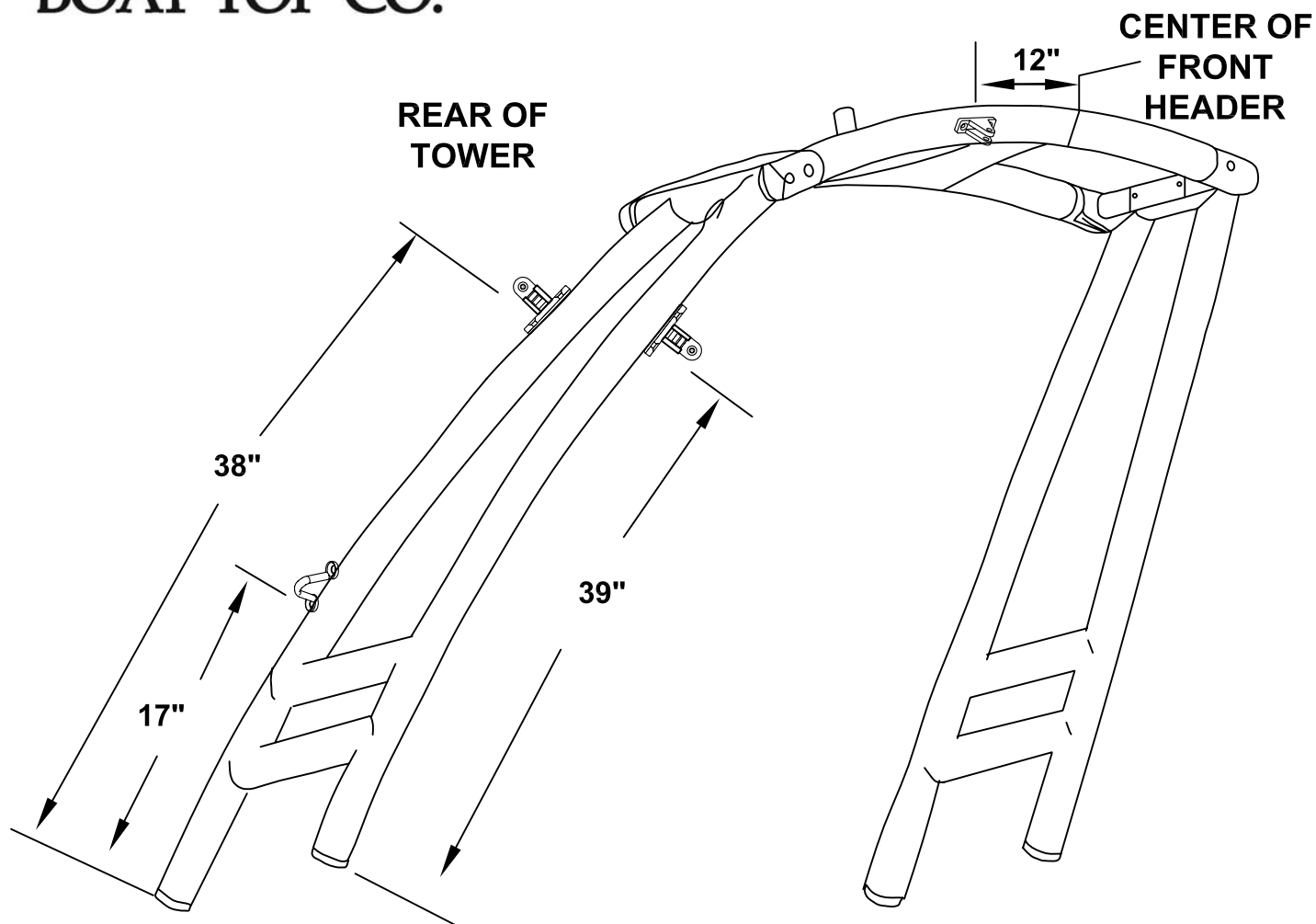




GREAT LAKES BOAT TOP CO

2012 MONSTER MTK OVER TOWER BIMINI TOP #2 MOUNTING INSTRUCTIONS



- 1) MEASURE 17" UP FROM BOTTOM OF REAR LEG TO BOTTOM HOLE OF REAR STRAP EYE. CENTER STRAP EYE ON BACK OF TOWER LEG
- 2) MEASURE 38" UP FROM BOTTOM OF REAR LEG TO BOTTOM HOLE OF REAR BOW 90 DEGREE SWIVEL MOUNT. CENTER MOUNT ON OUTSIDE OF TOWER LEG. PLACE TWISTKNOB IN MOUNT TOWARD OUTSIDE OF TOWER.
- 3) MEASURE 39" UP FROM BOTTOM OF FRONT TOWER LEG TO BOTTOM HOLE OF FRONT BOW 90 DEGREE SWIVEL MOUNT. CENTER MOUNT ON FRONT OF TOWER LEG. PLACE TWISTKNOB IN MOUNT TOWARD OUTSIDE OF TOWER.
- 4) MEASURE 12" OFF CENTER ON FRONT OF HEADER BAR TO CENTER OF FRONT SUPPORT POLE ANGLE MOUNT. PLACE MOUNTS ON CENTER OF PIPE, FACING FRONT OF TOWER WITH ANGLE FACING DOWN AND TWISTKNOB ON BOTTOM SIDE.

HARDWARE PACKAGED

- 2 - BLACK NYLON ANGLE MOUNTS W/TWISTKNOB - #200590
- 4 - UNIVERSAL 90 DEGREE SWIVEL MOUNTS - #200614
- 4 - BLACK TWISTKNOBS 1/4" - 20 X 1 1/4" - 101180
- 2 - STRAP EYES - 101060
- 12 - #10 X 3/4" PHIL FLAT TEK SCREW - 100470
- 4 - #8 X 4/3" PHIL FLAT TEK SCREWS - 100391